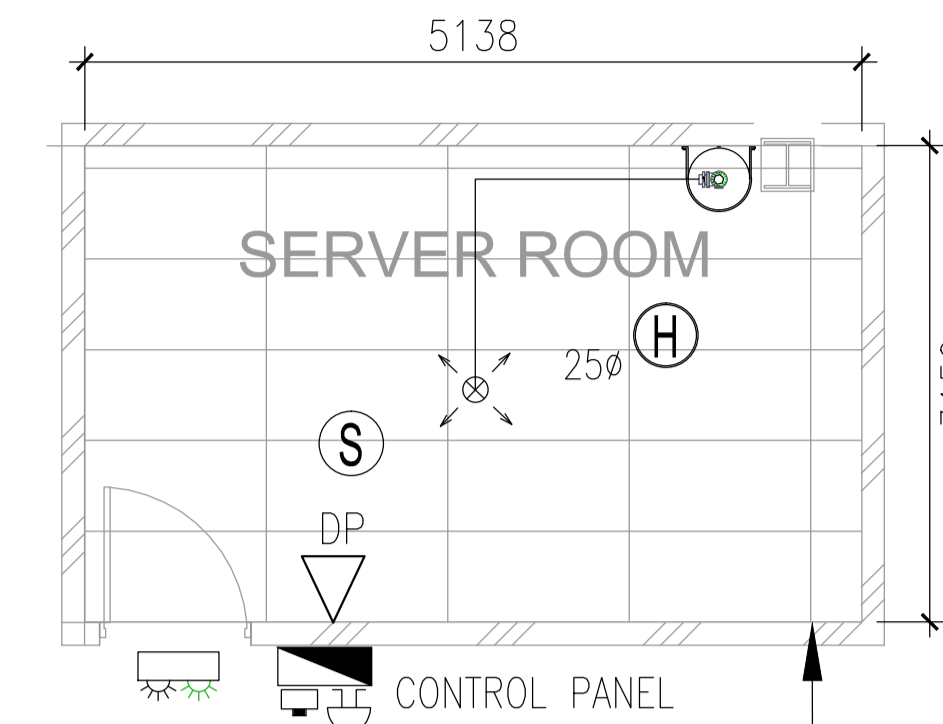
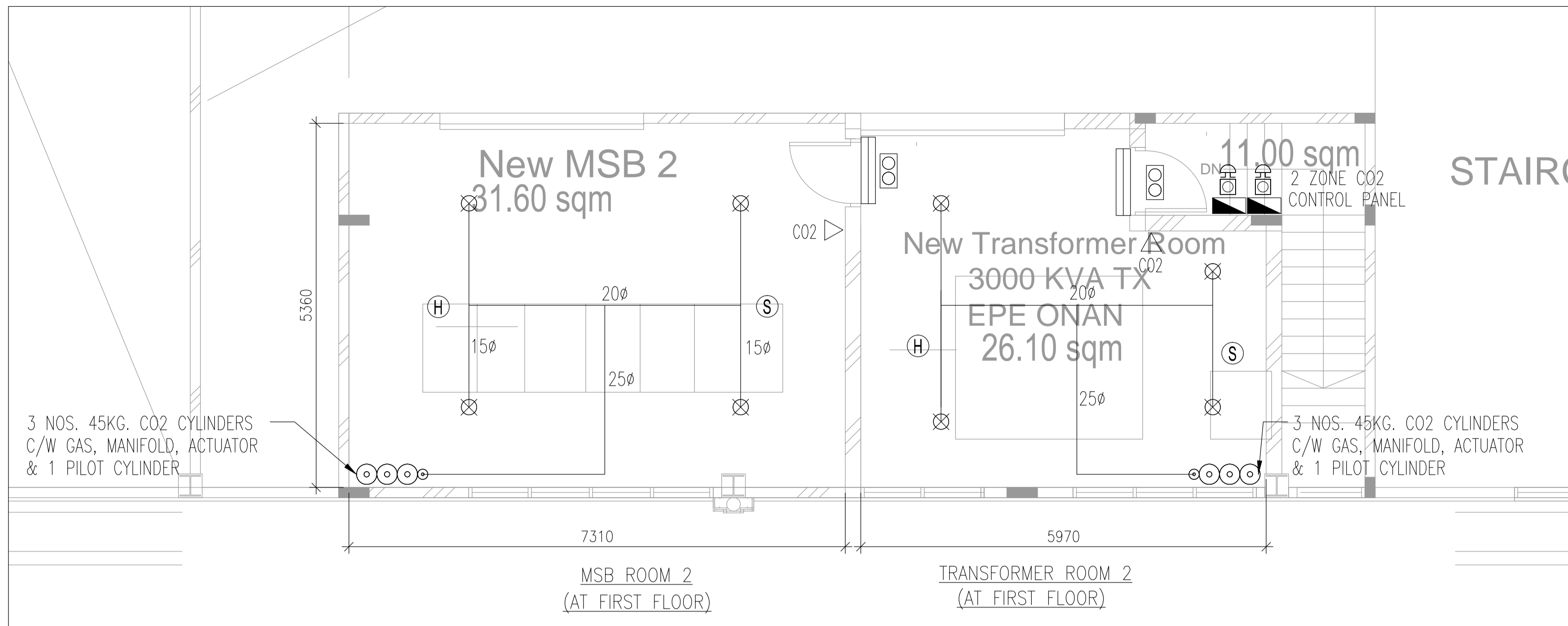
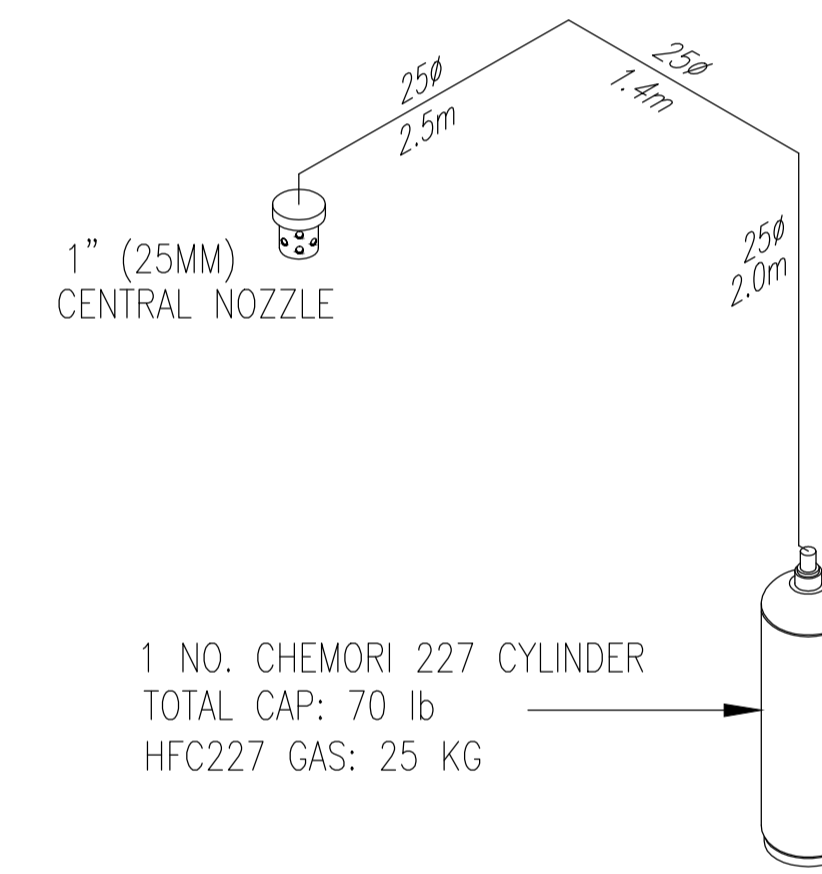


NEW ADDITIONAL CO2 SYSTEM AT NEW MSSB 2 ROOM & NEW TRANSFORMER 2 ROOM

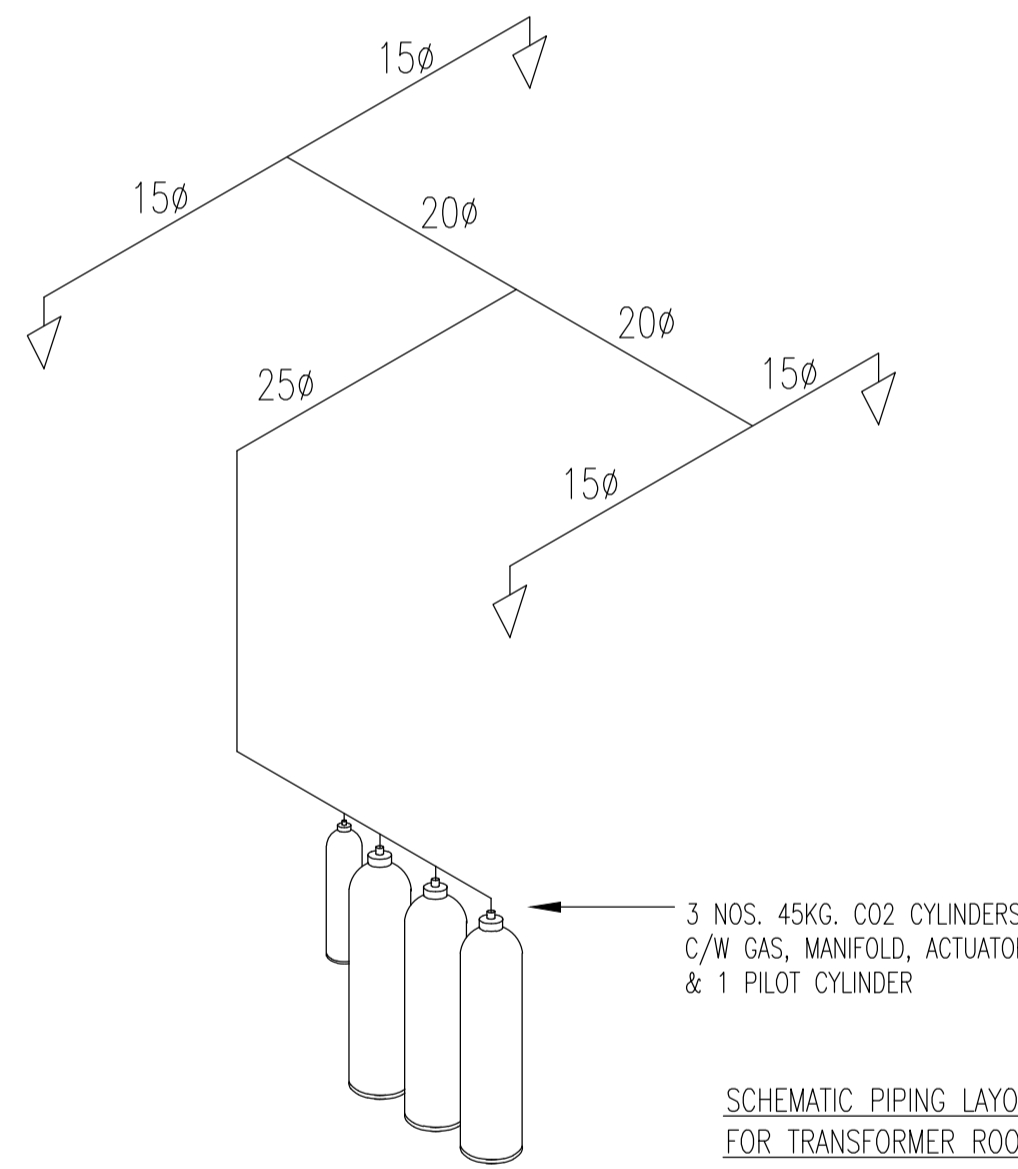


1 NO. CHEMORI 227 CYLINDER
TOTAL CAP: 70lb
HFC227 GAS: 25KG

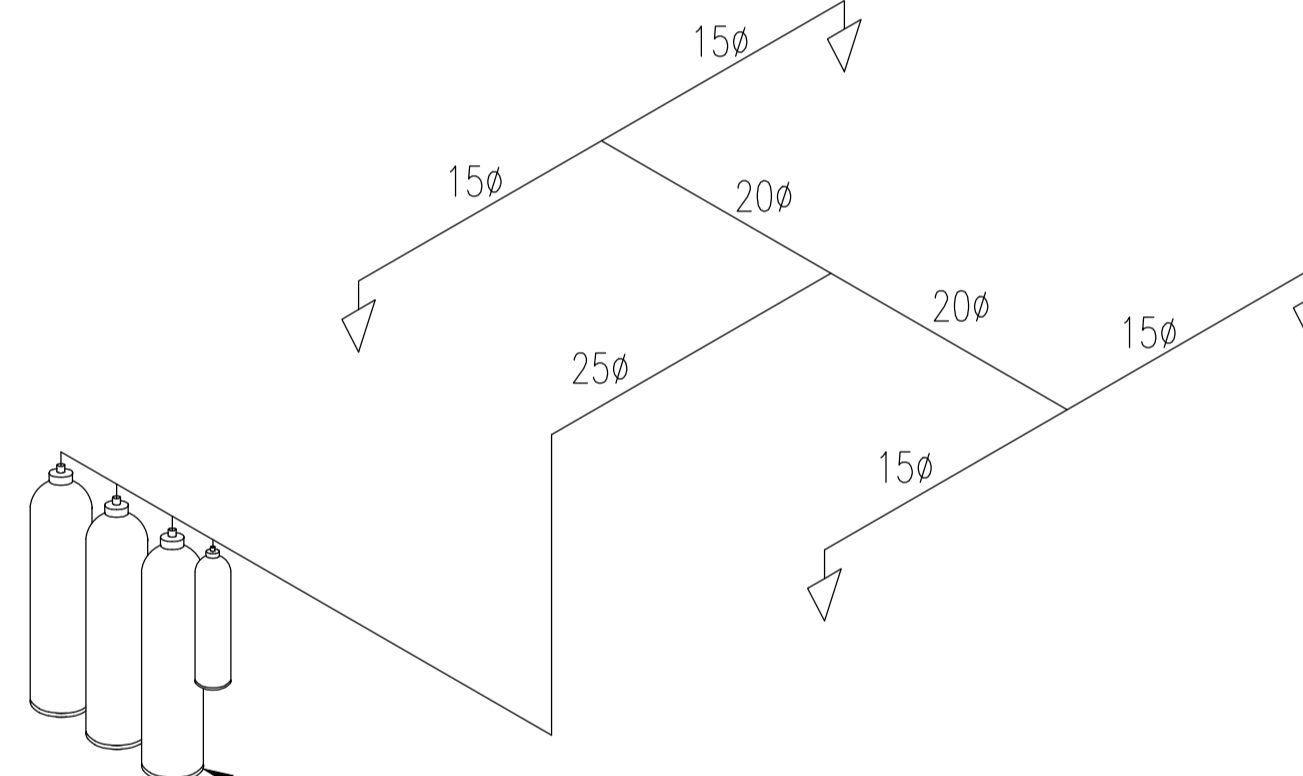
SERVER ROOM
(AT 1ST FLOOR)
HEIGHT : 2.8m



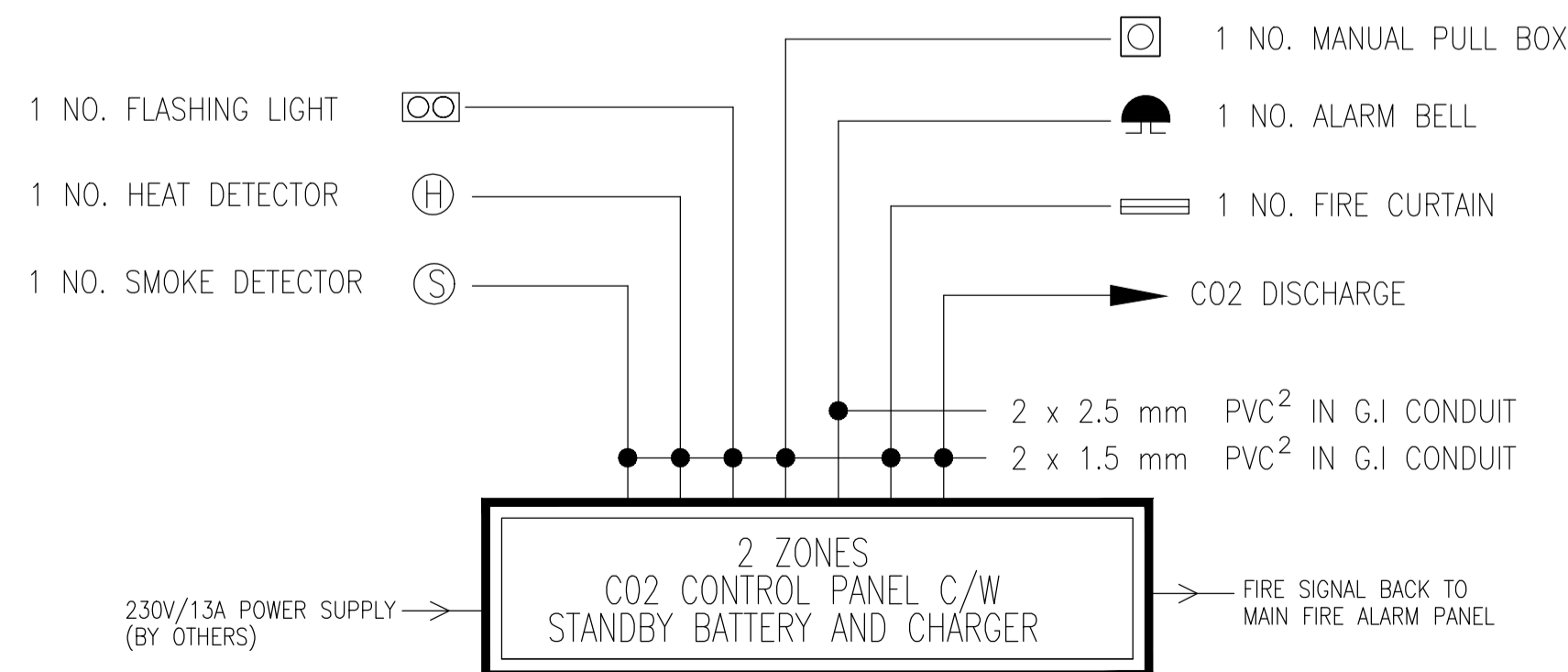
CHEMORI 227 SYSTEM ISOMETRIC DIAGRAM FOR SERVER ROOM



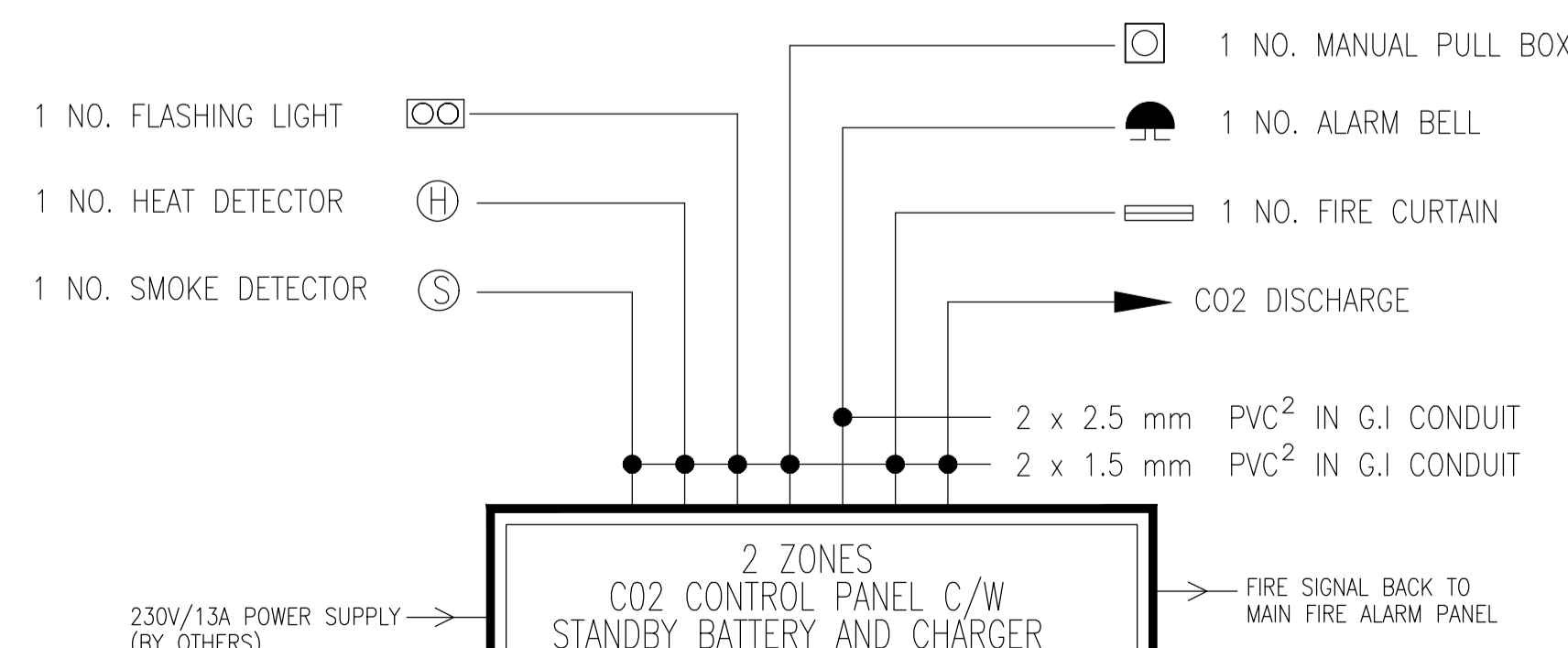
SCHEMATIC PIPING LAYOUT FOR CO2 SYSTEM FOR TRANSFORMER ROOM 2 AT FIRST FLOOR



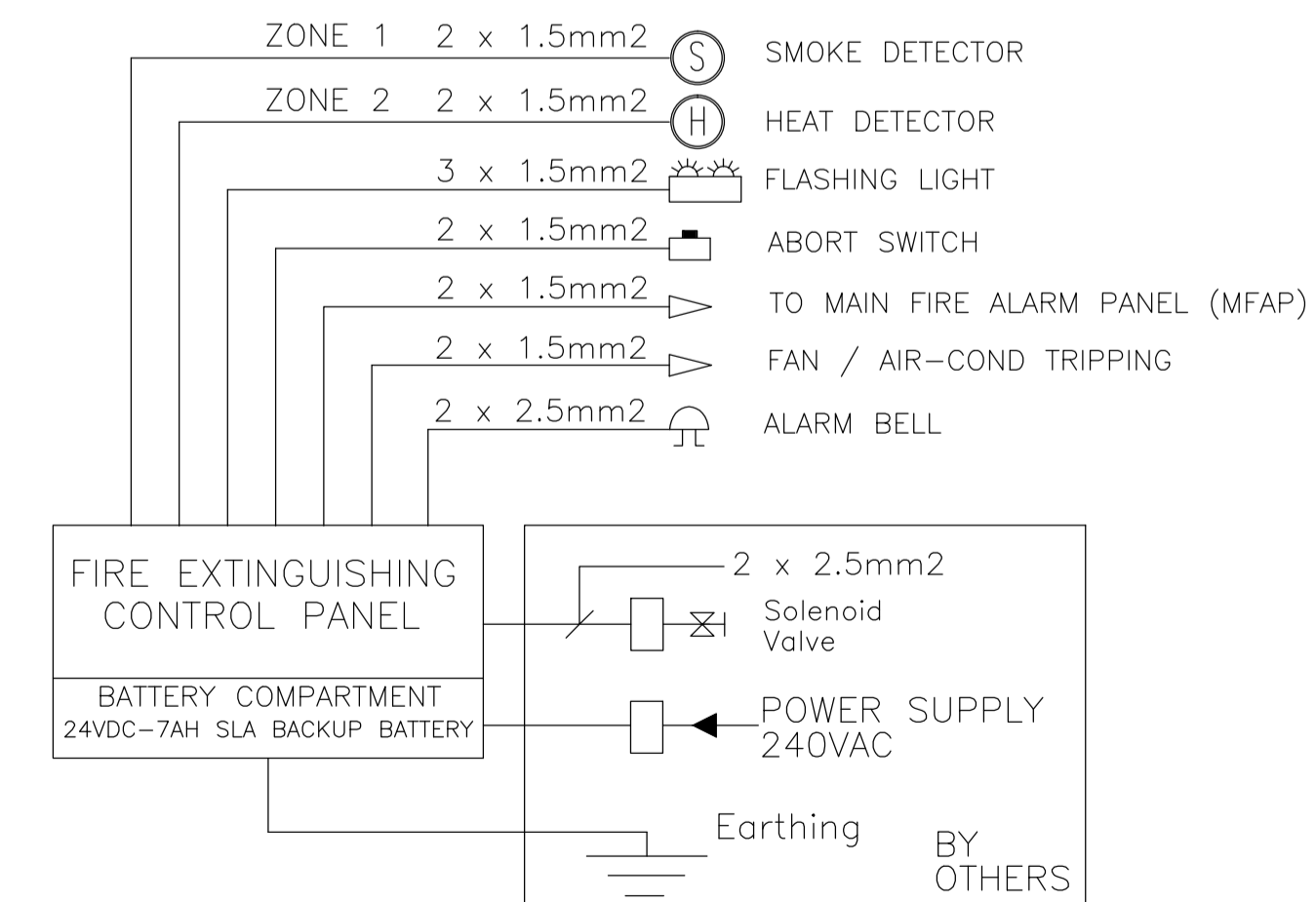
SCHEMATIC PIPING LAYOUT FOR CO2 SYSTEM FOR MSB ROOM 2 AT FIRST FLOOR



SINGLE LINE DIAGRAM FOR 2 ZONE CO2 CONTROL PANEL FOR TRANSFORMER ROOM 2 AT FIRST FLOOR



SINGLE LINE DIAGRAM FOR 2 ZONE CO2 CONTROL PANEL FOR MSB ROOM 2 AT FIRST FLOOR



SINGLE LINE WIRING DIAGRAM
SCALE : N.T.S.

AS-BUILT DRAWING

TAJUK PROJEK :

PERMOHONAN KEBENARAN MERANCANG
PENDIRIAN BANGUNAN BAGI CADANGAN
PEMBANGUNAN KILANG PENGELUARAN
KOMPONEN KAPAL TERBANG DI ATAS
SEBAHAGIAN LOT 1210, SEKSYEN U3, 40150
MUKIM DAMANSARA, DAERAH PETALING,
SELANGOR DARUL EHSAN.

UNTUK TETUAN :
RHB TRUSTEES BERHAD
(As Trustee for Axis Real Estate Investment Trust)

PEMILIK TANAH :

MALAYSIA AIRPORTS HOLDING BERHAD
(MAHB) (48792-W)
MALAYSIA AIRPORTS CORPORATE OFFICE,
PERSIARAN KORPORAT KLIA,
64000 KLIA, SEPAANG,
SELANGOR DARUL EHSAN
Tel: +603 8777 7000 Fax: +603 8777 7589

PEMILIK BANGUNAN :

RHB TRUSTEES BERHAD (573019-U)
(As Trustee for Axis Real Estate Investment Trust)
TINGKAT 11, TOWER ONE,
RHB CENTRE, JALAN TUN RAZAK,
60400 KUALA LUMPUR,
WILAYAH PERSEKUTUAN KUALA LUMPUR.
Tel: +603 9280 8799 Fax: +603 9280 8796

T.T ARKITEK :

KOOI KEAT ARCHITECT
no.19, taman bukit dumar, 11600 penang, malaysia.
tel: 04-659 9987 fax: 04-656 8478 e-mail: kooikeat@kooikeatarchitect.com.my

Ar. Ooi Kooi Keat
ARKITEK
No. Pendaftaran LAM : A/O 61

MAIN CONTRACTOR :

AME CONSTRUCTION SDN BHD
NO 18 JALAN ANGKASA MAS 6,
KAWASAN PERINDUSTRIAN TEBRAU 2,
81100 JOHOR BAHRU, JOHOR.
TEL: 07-355 5111
FAX: 07-3541648

PERUNDING M & E :

HAN YANG CONSULTANCY SDN BHD
MECHANICAL & ELECTRICAL CONSULTING ENGINEERS
Tingkat 1, No. 19, Lorong Desa Pauh 1,
Taman Desa Pauh, 13700 Perai,
Pulau Pinang.
Tel: 04-3979100 Fax: 04-3979101
E-mail: hanyang.sdn.bhd@gmail.com

FIRE CONTRACTOR :

NATION FIRE ENGINEERING SDN BHD
(453143-D)
20, JALAN USJ 7/3A, UEP SUBANG JAYA,
47610 SUBANG JAYA, SELANGOR DARUL EHSAN.
TEL: 03-5621 0805/06 FAX: 03-5621 0815
E-MAIL: nationfire@yahoo.com

FIRE PROTECTION SYSTEM

TAJUK LUKISAN:

CO2 SYSTEM & FM200 SYSTEM
- MSB ROOM 2
- TRANSFORMER ROOM 2
- SERVER ROOM

SCALE : 1:50

DATE : JANUARY 2019

DRAWING BY : FRANCIESE KANG

CHEK BY : STEVEN

DRAWING NO : 3445/NF/AAC/2018-FF11