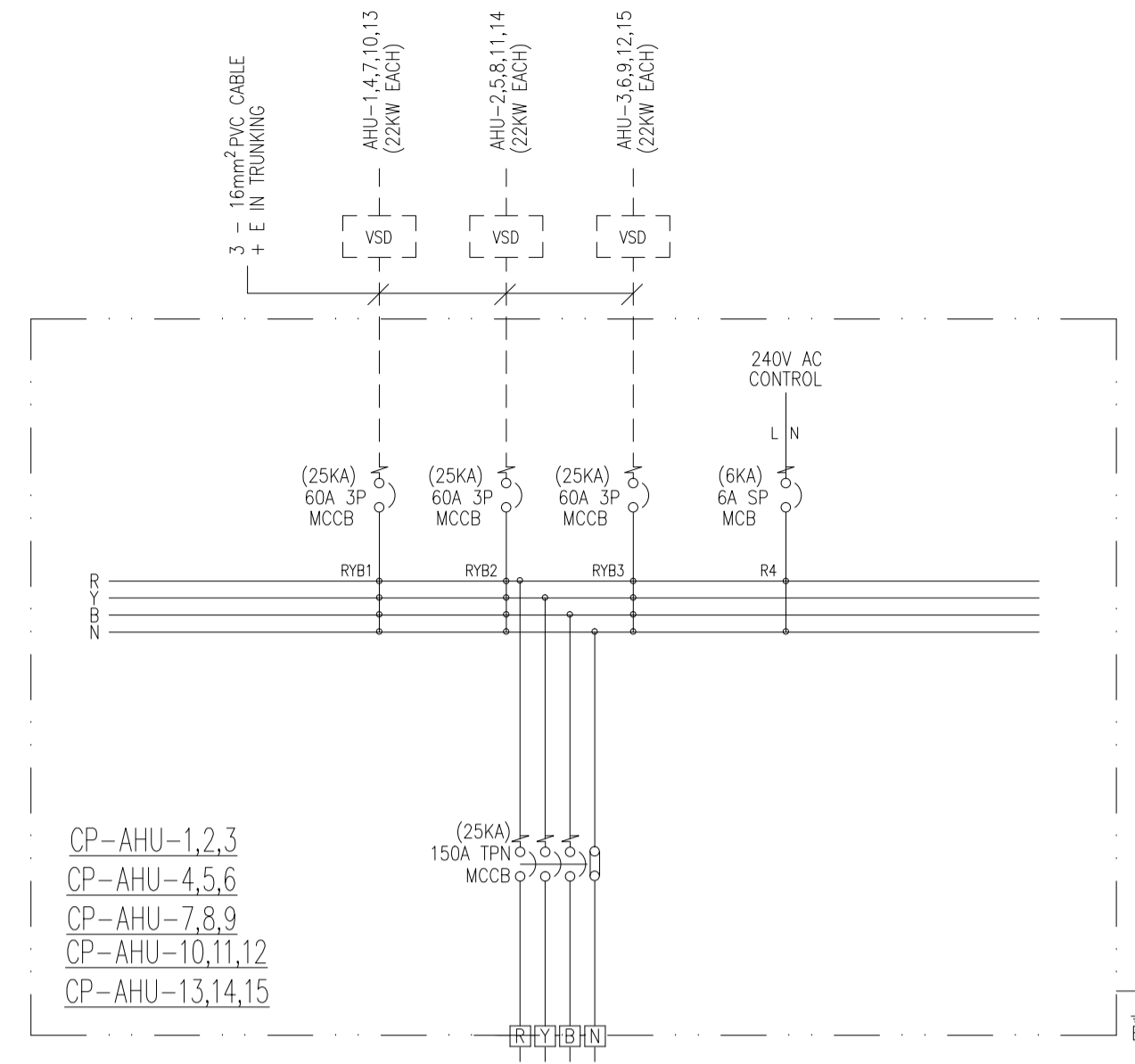


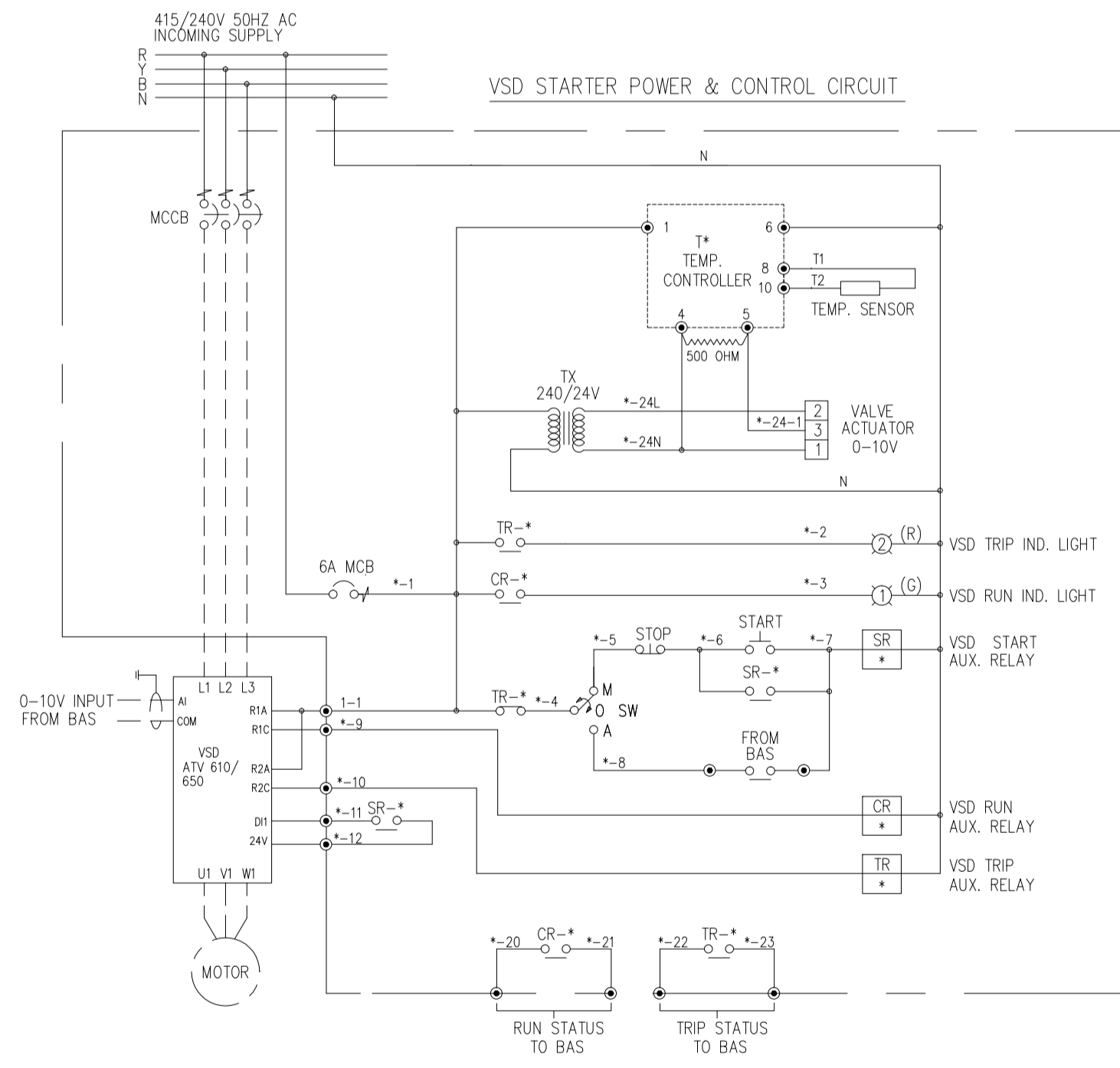
NAME PLATE
 NP1 - AHU-1/AHU-4/AHU-7/AHU-10/AHU-13
 NP2 - AHU-2/AHU-5/AHU-8/AHU-11/AHU-14
 NP3 - AHU-3/AHU-6/AHU-9/AHU-12/AHU-15

LEGEND
 1 - RUN IND. LIGHT (GREEN)
 2 - TRIP IND. LIGHT (RED)
 3 - START PUSH BUTTON (GREEN)
 4 - STOP PUSH BUTTON (RED)
 5 - A/DJ selector switch
 6 - TEMPERATURE CONTROLLER

GENERAL ARRANGEMENT CP-AHU-1,2,3
 CP-AHU-4,5,6 CP-AHU-7,8,9 CP-AHU-10,11,12 CP-AHU-13,14,15

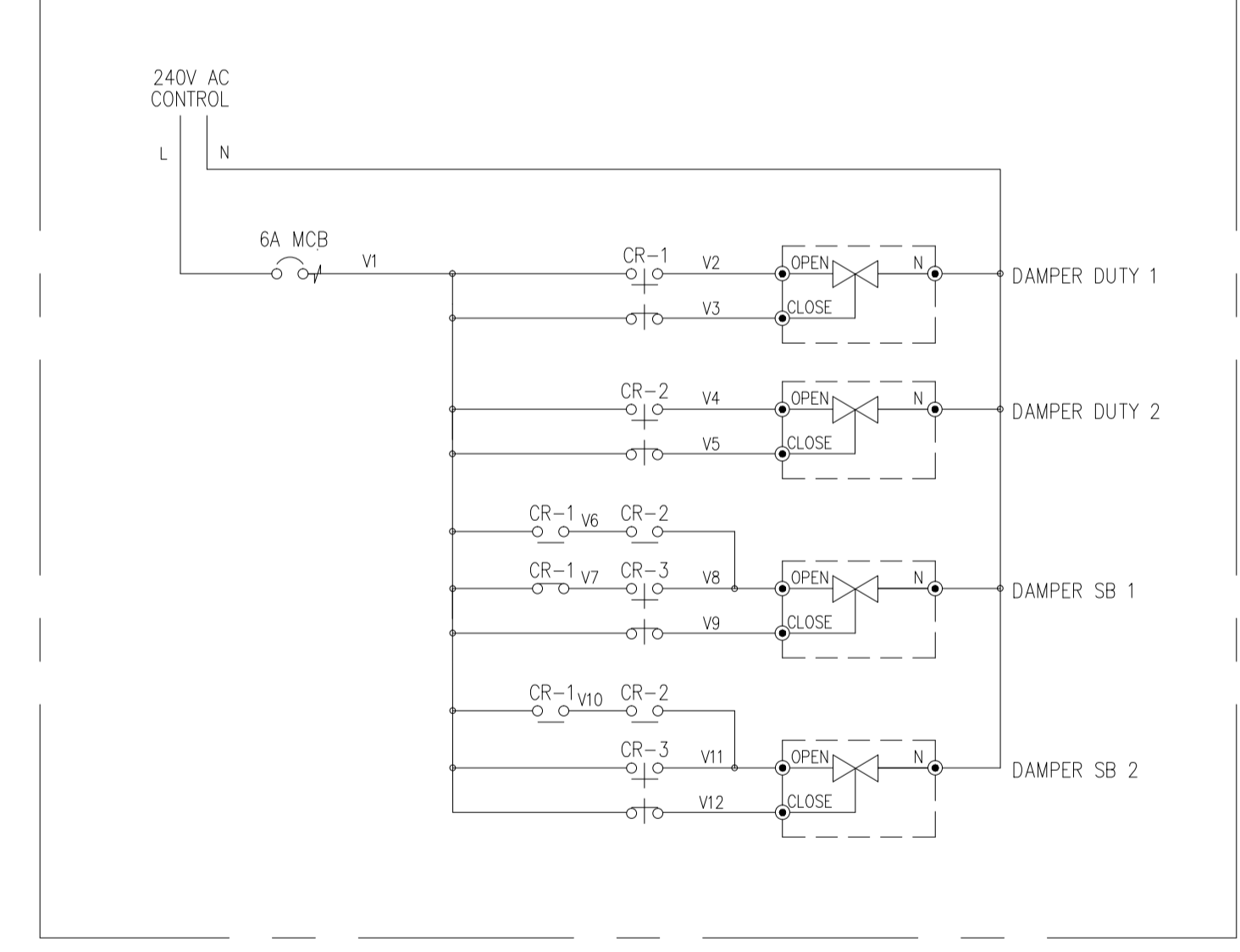


SCHEMATIC DIAGRAM
 CP-AHU-1,2,3
 CP-AHU-4,5,6
 CP-AHU-7,8,9
 CP-AHU-10,11,12
 CP-AHU-13,14,15



VSD POWER & CONTROL CIRCUIT
 CP-AHU-1,2,3
 CP-AHU-4,5,6
 CP-AHU-7,8,9
 CP-AHU-10,11,12
 CP-AHU-13,14,15

| EQUIPMENT NAME | MOTOR KW | PHASE | MCCB RATING | STARTER TYPE | CABLE & COMPONENT MARKER |
|-----------------|----------|---------|----------------------------|--------------|--------------------------|
| CP-AHU-1,2,3 | | | | | |
| AHU-1 | 22KW | 3 PHASE | 60A 3P MCCB (25KA) NXS100B | VSD | 1 |
| AHU-2 | 22KW | 3 PHASE | 60A 3P MCCB (25KA) NXS100B | VSD | 2 |
| AHU-3 | 22KW | 3 PHASE | 60A 3P MCCB (25KA) NXS100B | VSD | 3 |
| CP-AHU-4,5,6 | | | | | |
| AHU-4 | 22KW | 3 PHASE | 60A 3P MCCB (25KA) NXS100B | VSD | 1 |
| AHU-5 | 22KW | 3 PHASE | 60A 3P MCCB (25KA) NXS100B | VSD | 2 |
| AHU-6 | 22KW | 3 PHASE | 60A 3P MCCB (25KA) NXS100B | VSD | 3 |
| CP-AHU-7,8,9 | | | | | |
| AHU-7 | 22KW | 3 PHASE | 60A 3P MCCB (25KA) NXS100B | VSD | 1 |
| AHU-8 | 22KW | 3 PHASE | 60A 3P MCCB (25KA) NXS100B | VSD | 2 |
| AHU-9 | 22KW | 3 PHASE | 60A 3P MCCB (25KA) NXS100B | VSD | 3 |
| CP-AHU-10,11,12 | | | | | |
| AHU-10 | 22KW | 3 PHASE | 60A 3P MCCB (25KA) NXS100B | VSD | 1 |
| AHU-11 | 22KW | 3 PHASE | 60A 3P MCCB (25KA) NXS100B | VSD | 2 |
| AHU-12 | 22KW | 3 PHASE | 60A 3P MCCB (25KA) NXS100B | VSD | 3 |
| CP-AHU-13,14,15 | | | | | |
| AHU-13 | 22KW | 3 PHASE | 60A 3P MCCB (25KA) NXS100B | VSD | 1 |
| AHU-14 | 22KW | 3 PHASE | 60A 3P MCCB (25KA) NXS100B | VSD | 2 |
| AHU-15 | 22KW | 3 PHASE | 60A 3P MCCB (25KA) NXS100B | VSD | 3 |



DAMPER CONTROL CIRCUIT
 CP-AHU-1,2,3
 CP-AHU-4,5,6
 CP-AHU-7,8,9
 CP-AHU-10,11,12
 CP-AHU-13,14,15

AS-BUILT DRAWING

NOTICE

This drawing and all information thereon is the property of HVAR engineering services sdn. bhd. No.5A & 5B, Jalan Sepadu A25/A, Taman Perindustrian Axis, Seksyen 25, 40400 Shah Alam, Selangor Darul Ehsan. Tel :- 03-51248218 Fax :- 03-51248219/20
 This drawing and all information thereon is confidential and must not be made public, copied or used to disadvantage of said HVAR engineering services sdn. bhd. It is subject to return on demand.

Notes :

Owner :

RHB
 RHB Trustees Berhad
RHB TRUSTEES BERHAD (673019-U)
 (As Trustee for Axis Real Estate Investment Trust)
 TINGKAT 11, TOWER ONE,
 RHB CENTRE, JALAN TUN RAZAK,
 50400 KUALA LUMPUR.
 WILAYAH PERSEKUTUAN KUALA LUMPUR.
 Tel: +603 9280 8799 Fax: +603 9280 8796

Consulting Engineers :

HAN YANG CONSULTANCY SDN BHD
 MECHANICAL & ELECTRICAL CONSULTING ENGINEERS
 12-B, Medan Angsana 2,
 11500 Bandar Baru Ayer Itam,
 Pulau Pinang.
 Tel: 04-8294489 Fax: 04-8292289
 E-mail: hanyang.sdn.bhd@gmail.com

Architect:

KOOI KEAT ARCHITECT
 no.19, taman bukit dumar, 11600 penang, malaysia.
 tel: 04-659 9887 fax: 04-656 8478 e-mail: kooikeat@kooikeatarchitect.com.my

Main Contractor :

AME
 CONSTRUCTION
AME CONSTRUCTION SDN BHD
 NO. 18, JALAN ANGKASA MAS 6
 KAWASAN PERINDUSTRIAN TEBRAU 2
 81100 JOHOR BAHRU, JOHOR
 TEL: 07-3555 111 FAX: 07-3541 648
 EMAIL: info@ameconstruction.com.my
 WEBSITE: www.ameconstruction.com.my

Air-Conditioning Contractor :

HVAR engineering services sdn. bhd.
 No.5A & 5B, Jalan Sepadu A25/A,
 Taman Perindustrian Axis, Seksyen
 25, 40400 Shah Alam, Selangor.
 Tel :- 03-51248218
 Fax :- 03-51248219/20
 Email: hvarengineering@yahoo.com
 hvar1979@gmail.com
 Air Conditioning Is Our Business Since 1979

Project Name :

**CADANGAN PEMBANGUNAN KILANG
 PENGELUARAN KOMPONEN KAPAL TERBANG 1
 TINGKAT DAN PEJABAT 3 TINGKAT DI ATAS
 SEBAHAGIAN LOT 1210, SEKSYEN U3, 40150
 MUKIM DAMANSARA, DAERAH PETALING,
 SELANGOR DARUL EHSAN.
 UNTUK TETUAN :
 RHB TRUSTEES BERHAD
 (As Trustee for Axis Real Estate Investment Trust)**

Subject :

POWER DISTRIBUTION BOARD CONTROL CIRCUIT &
 POWER SWITCH BOARD LAYOUT (FOR AHU SYSTEM)

Checked By : Charlie
 Designed By : Charlie
 Drawn By : Siti
 Date : 02/01/19 Job Ref : 034-2018-AXIS-SA
 Scale : N.T.S.
 Drawing No : HES/AXIS/SA/034/03/18-AC.CP4(ABD)