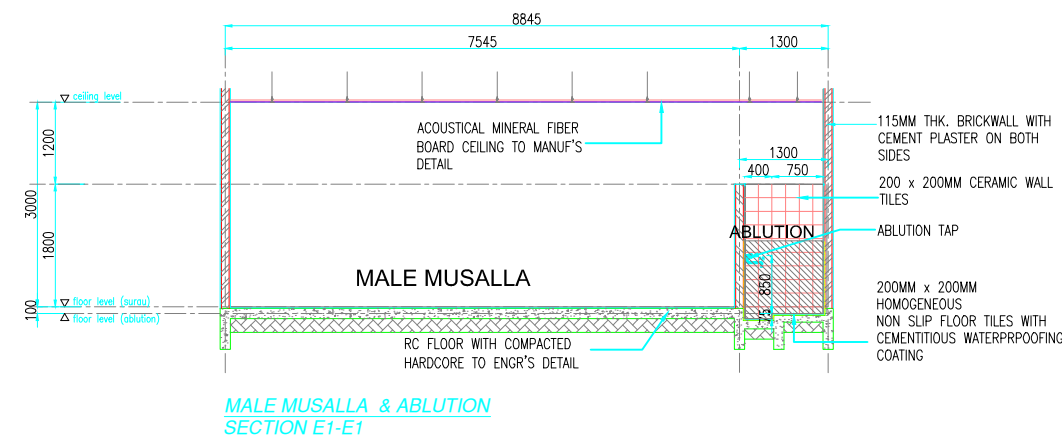
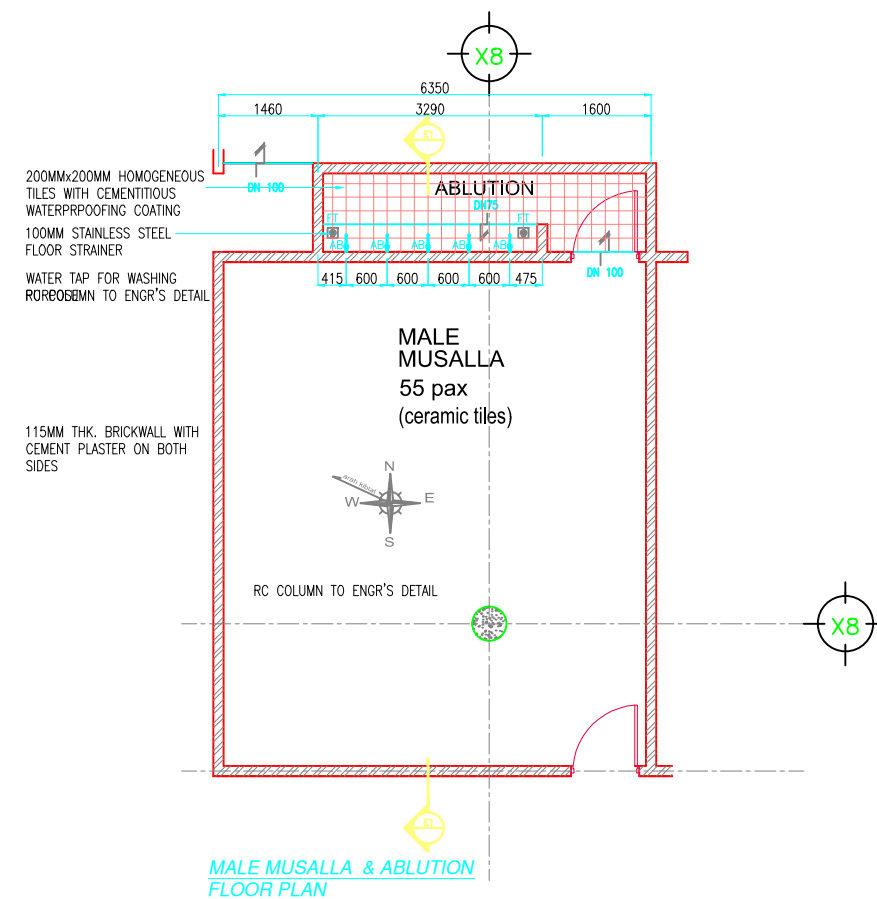
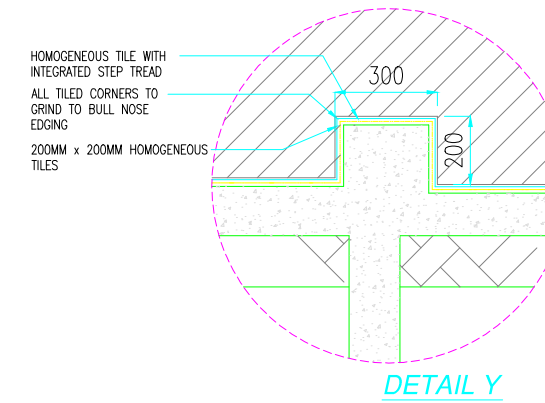
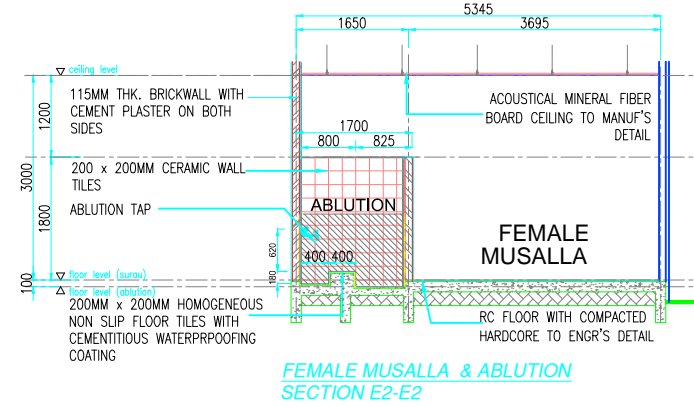
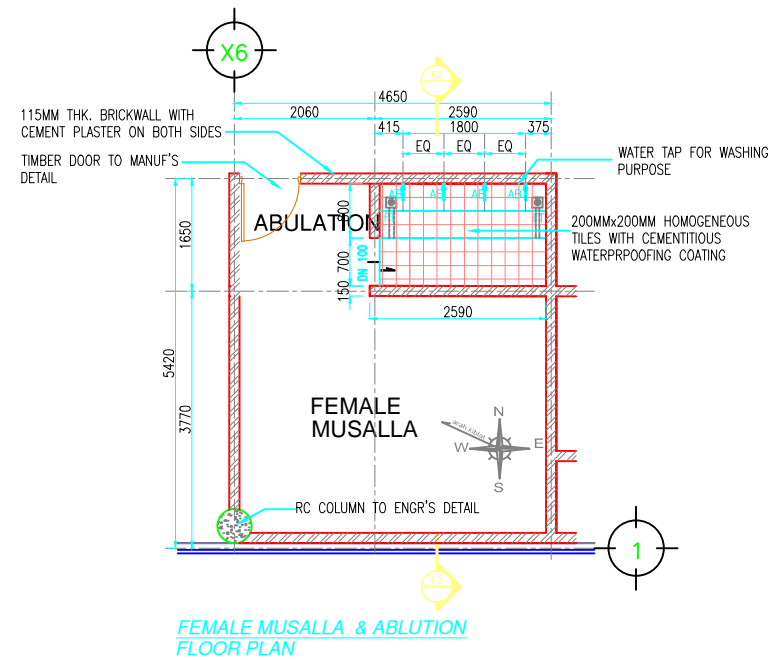


AS-BUILT DRAWING



LEGEND	
AB	ABLUTION TAP
FT	FLOOR TRAP

PROJECT TITLE
 PROPOSED CONSTRUCTION & COMPLETION OF:
 AXIS AEROTECH CENTRE
 1-STORY WAREHOUSE WITH 3-STORY OFFICE & UTILITY
 INCLUDING
 a) 1 UNIT GUARD HOUSE
 b) 1 UNIT REFUSE DEPO
 c) 1 UNIT PUMP HOUSE
 d) 1 UNIT ELEVATED WATER TANK

ON
 LOT 1210, SEKSYEN U3,
 40150 MUKIM DAMANSARA,
 DAERAH PETALING,
 SELANGOR DARUL EHSAN.

FOR RHB TRUSTEES BERHAD
 (AS TRUSTEE FOR AXIS REAL ESTATE INVESTMENT TRUST)

DEVELOPER
 RHB TRUSTEES BERHAD
 (AS TRUSTEE FOR AXIS REIT)
 LEVEL 11, TOWER ONE,
 RHB CENTRE, JALAN TUN RAZAK,
 50400 KUALA LUMPUR, MALAYSIA.
 TEL: +603-9280 8799 FAX: +603-9280 8796

ARCHITECT
 KOOI KEAT ARCHITECT
 NO.19, TAMAN BUKIT DUMBER,
 11600 PENANG.
 TEL: +604-659 9987 FAX: +604-658 8478
 EMAIL: kooikeat@kooikeatarchitect.com.my

CIVIL & STRUCTURAL ENGINEER
 WK & PARTNERS CONSULT SDN BHD
 NO.C-8-1, PUTRA WALK, JALAN PP 25,
 TAMAN PINGGIRAN PUTRA,
 43300 SERI KEMBANGAN, SELANGOR.
 TEL: +603-8959 7022
 EMAIL: wknpc@wknpc.com WEB: www.wknpc.com

MECHANICAL & ELECTRICAL ENGINEER
 HAN YANG CONSULTANCY SDN BHD
 12-B, MEDAN ANGSANA 2,
 11500 BANDAR BARU AYER ITAM, PULAU PINANG.
 TEL: +604-829 4489 FAX: +604-829 2289
 EMAIL: hanyang.sdn.bhd@gmail.com

QUANTITY SURVEYOR
 PERUNDING KOS CSS
 NO.47 & 49-1 & 2, JALAN 1/62D,
 BANDAR MENJALARA,
 52200 KUALA LUMPUR.
 TEL: +603-6276 9823 FAX: +603-6276 3672
 EMAIL: pkcss@streamyx.com

CONTRACTOR
 AME CONSTRUCTION SDN BHD
 NO.15, JALAN I-PARK SAC 2,
 TAMAN PERINDUSTRIAN I-PARK SAC,
 81400 SENAI JOHOR.
 TEL: +607-5959 666 FAX: +607-5959 668
 WEB: www.ameconstruction.com.my

DRAWING TITLE
 PRAYER ROOM & ABLUTION
 FLOOR PLAN SECTION

DRAWING NUMBER

SCALE	1:1	DATE	JAN 2019
DRAWN	AMECSB	CHECKED	AMECSB