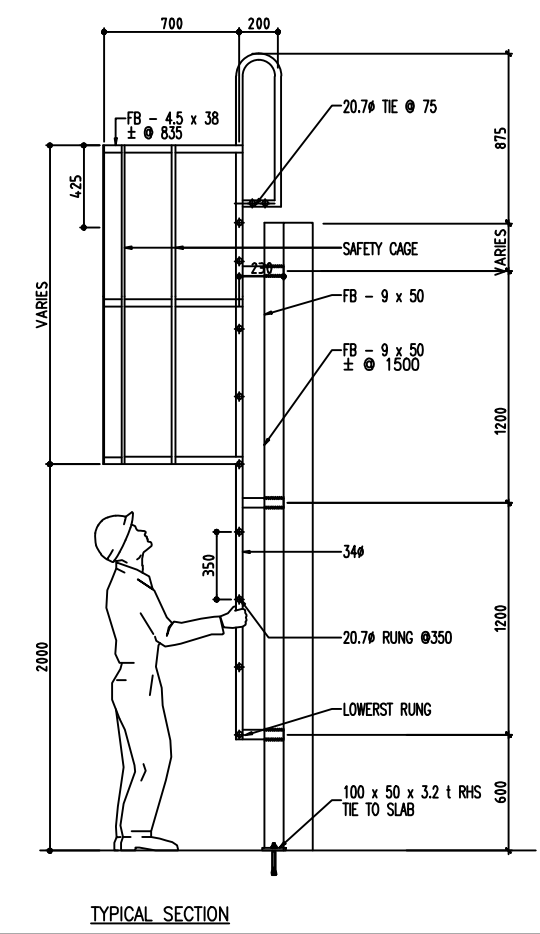
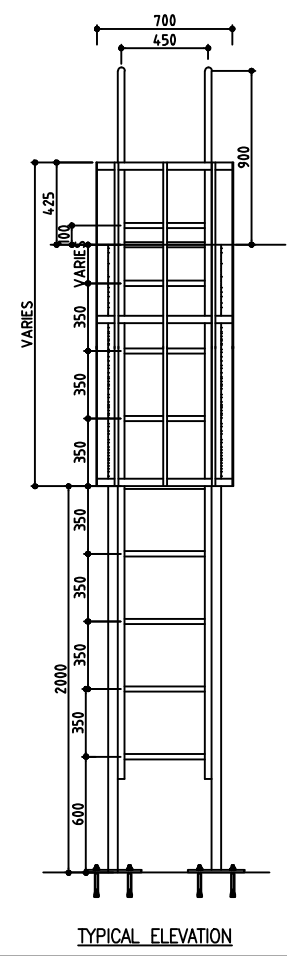
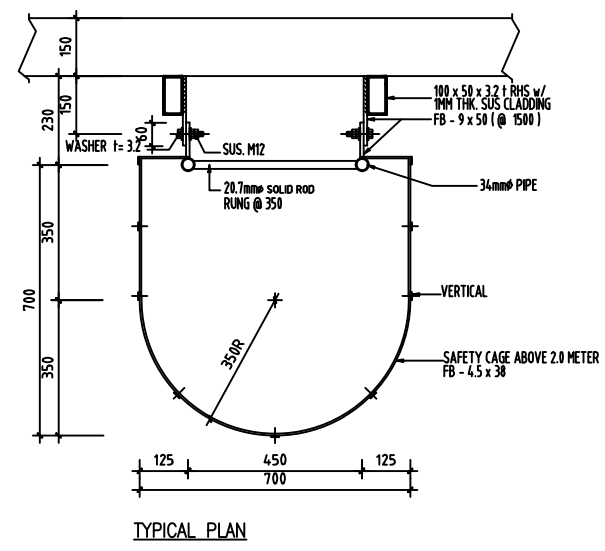
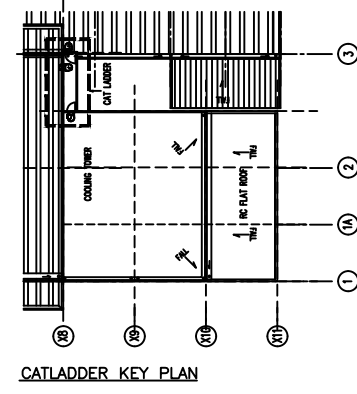
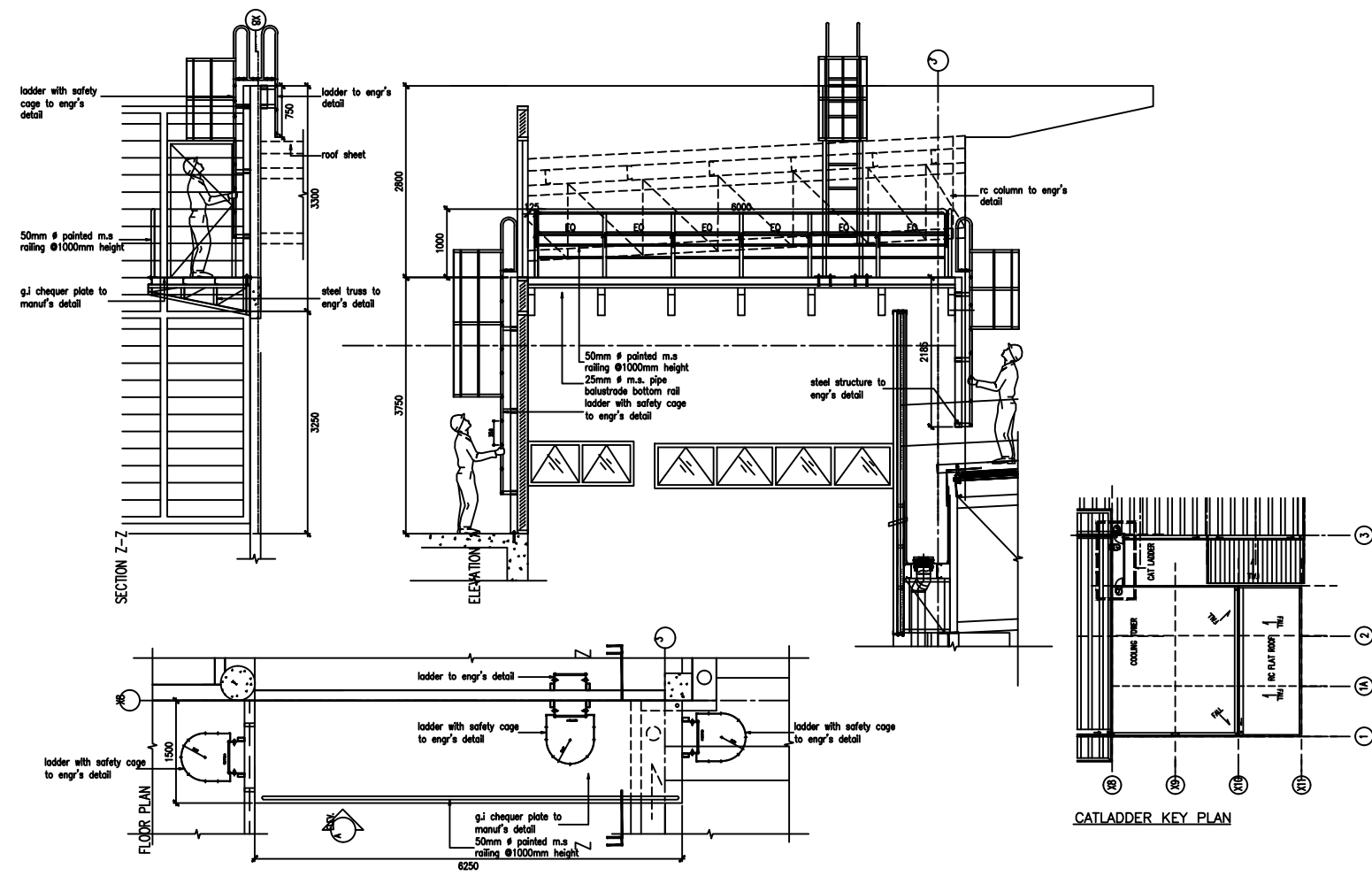


AS-BUILT DRAWING



PROJECT TITLE
PROPOSED CONSTRUCTION & COMPLETION OF:
AXIS AEROTECH CENTRE
1-STORY WAREHOUSE WITH 3-STORY OFFICE & UTILITY
INCLUDING
a) 1 UNIT GUARD HOUSE
b) 1 UNIT REFUSE DEPO
c) 1 UNIT PUMP HOUSE
d) 1 UNIT ELEVATED WATER TANK

ON
LOT 1210, SEKSYEN U3,
40150 MUKIM DAMANSARA,
DAERAH PETALING,
SELANGOR DARUL EHSAN.

FOR RHB TRUSTEES BERHAD
(AS TRUSTEE FOR AXIS REAL ESTATE INVESTMENT TRUST)

DEVELOPER
RHB TRUSTEES BERHAD
(AS TRUSTEE FOR AXIS REIT)
LEVEL 11, TOWER ONE,
RHB CENTRE, JALAN TUN RAZAK,
50400 KUALA LUMPUR, MALAYSIA.
TEL: +603-9280 8799 FAX: +603-9280 8796

ARCHITECT
KOOI KEAT ARCHITECT
NO.19, TAMAN BUKIT DUMBER,
11600 PENANG.
TEL: +604-659 9987 FAX: +604-658 8478
EMAIL: kooikeat@kooikeatarchitect.com.my

CIVIL & STRUCTURAL ENGINEER
WK & PARTNERS CONSULT SDN BHD
NO.C-8-1, PUTRA WALK, JALAN PP 25,
TAMAN PINGGIRAN PUTRA,
43300 SERI KEMBANGAN, SELANGOR.
TEL: +603-8959 7022
EMAIL: wknpc@wknpc.com WEB: www.wknpc.com

MECHANICAL & ELECTRICAL ENGINEER
HAN YANG CONSULTANCY SDN BHD
12-B, MEDAN ANGSA 2,
11500 BANDAR BARU AYER ITAM, PULAU PINANG.
TEL: +604-829 4489 FAX: +604-829 2289
EMAIL: hanyang.sdn.bhd@gmail.com

QUANTITY SURVEYOR
PERUNDING KOS CSS
NO.47 & 49-1 & 2, JALAN 1/62D,
BANDAR MENJALARA,
52200 KUALA LUMPUR.
TEL: +603-6276 9823 FAX: +603-6276 3672
EMAIL: pkcss@streamyx.com

CONTRACTOR
AME CONSTRUCTION SDN BHD
NO.15, JALAN I-PARK SAC 2,
TAMAN PERINDUSTRIAN I-PARK SAC,
81400 SENAI, JOHOR.
TEL: +607-5959 666 FAX: +607-5959 668
WEB: www.ameconstruction.com.my

DRAWING TITLE
**CAR LADDER &
MS PLATFORM DETAIL**

DRAWING NUMBER

SCALE	1:1	DATE	JAN 2019
DRAWN	AMECSB	CHECKED	AMECSB