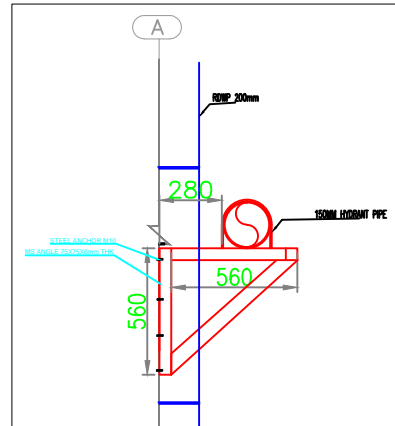
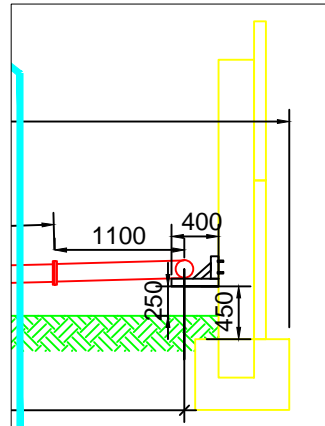


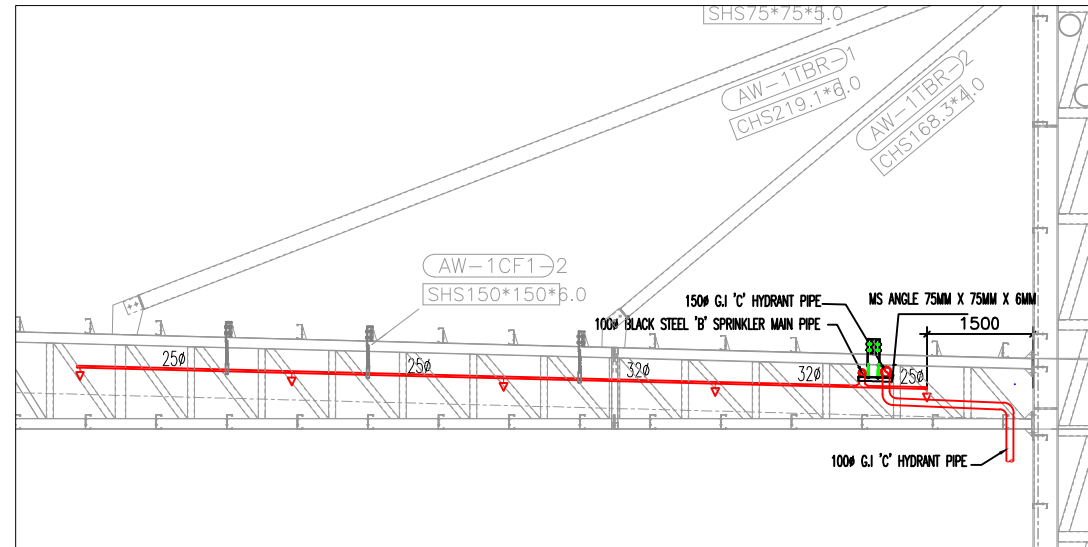
DETAIL D.1
SCALE : 1:40



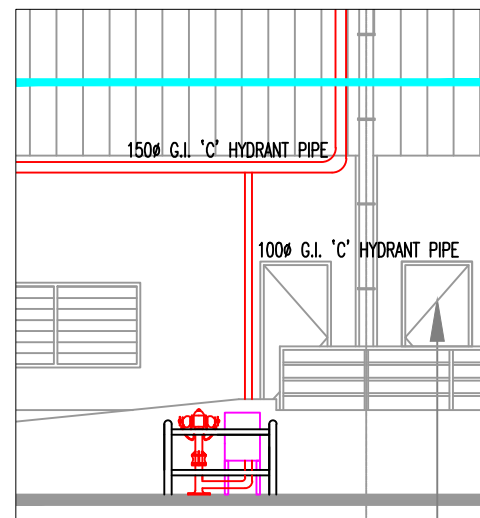
DETAIL D.2
SCALE : 1:75



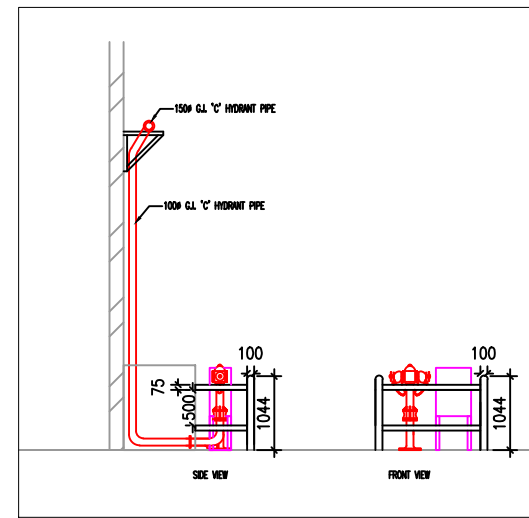
DETAIL D.6.1
SCALE : 1:30



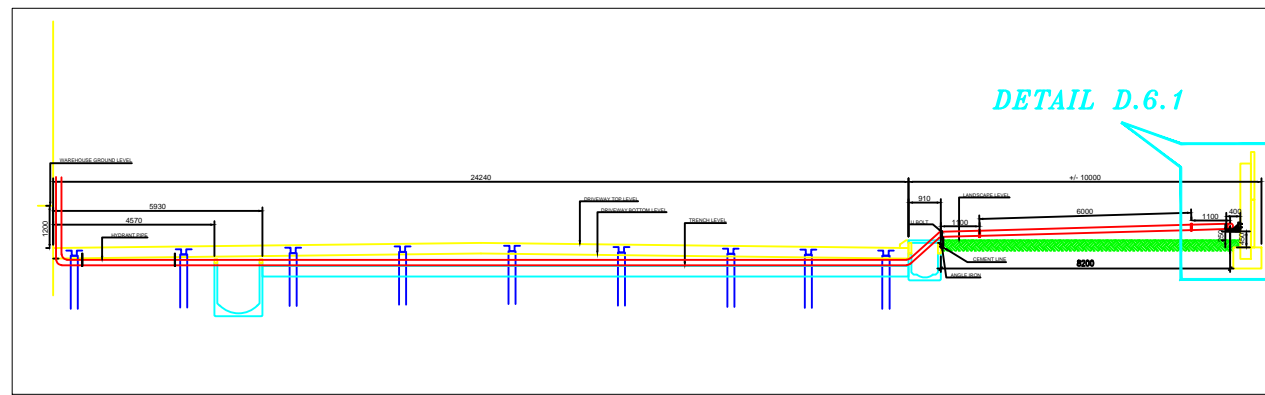
DETAIL D.5
SCALE : 1:50



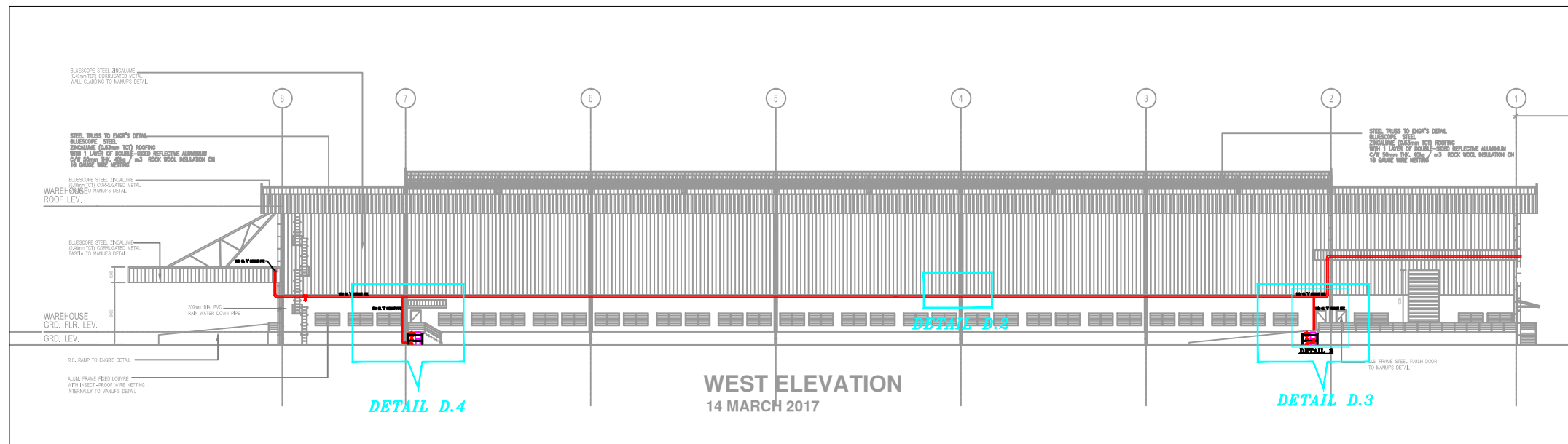
DETAIL D.3
SCALE : 1:50



DETAIL D.4
SCALE : 1:50



DETAIL D.6
SCALE : 1:100



DETAIL D FOR HYDRANT
SCALE : 1:250

PROJECT TITLE :
PROPOSED CONSTRUCTION & COMPLETION OF:
PHASE 1 : 1-STORY WAREHOUSE (120m X 360m)
WITH 2-STORY OFFICE / SOCIAL BLOCK
INCLUDING

- a) 1 UNIT GUARD HOUSE
- b) 1 UNIT REFUSE CHAMBER
- c) 1 UNIT WASTE TREATMENT PLANT
- d) 1 UNIT PUMP HOUSE
- e) 1 UNIT TNB SUBSTATION

ON LOT 7316 (P.T. 3609),
JALAN KLANG - BANTING,
MUKIM TELUK PANGLIMA GARANG,
KUALA LANGAT, SELANGOR

FOR RHB TRUSTEES BERHAD
(AS TRUSTEE FOR AXIS REAL ESTATE INVESTMENT TRUST)

DEVELOPER :

RHB TRUSTEES BERHAD
(AS TRUSTEE FOR AXIS REIT)
LEVEL 11, TOWER ONE,
RHB CENTRE, JALAN TUN RAZAK,
50400 KUALA LUMPUR, MALAYSIA.
TEL: +603-9280 8799 FAX: +603-9280 8796

ARCHITECT :

KOOI KEAT ARCHITECT
No.18, Jalan Bukit Jimbar, 11600 Penang, Malaysia.
Tel:04-659 9987 Fax:04-656 8478
emkool@kooi-keat.com.my

M & E CONSULTANT :

FIG Fire Consultancy Sdn Bhd
Fire Safety Engineering

UNIT 12-4, 4TH FLOOR, JALAN 3/114,
KUCHAI BUSINESS CENTRE,
OFF JALAN KUCHAI LAMA,
58200 KUALA LUMPUR.
TEL: 03-79842128 / 03-79842118
FAX: 03-79842158

MAIN CONTRACTOR :

AME CONSTRUCTION SDN BHD
NO 18 JALAN ANGKASA MAS 6,
KAWASAN PERINDUSTRIAN TEBRAU 2,
81100 JOHOR BAHRU, JOHOR.
TEL: 07- 355 5111
FAX: 07- 3541648

FIRE FIGHTING CONTRACTOR :

NATION FIRE ENGINEERING SDN BHD
(63143-D)
20, JALAN USJ 7/3A, UEP SUBANG JAYA,
47610 SUBANG JAYA, SELANGOR DARUL EHSAN.
TEL: 03-5621 0605/06 FAX: 03-5621 0615
E-MAIL: nationfire@yahoo.com

FIRE PROTECTION SYSTEM

DRAWING TITLE :

DETAIL D
-DETAIL OF HYDRANT

SCALE : AS SHOWN

DATE : DECEMBER 2017

DRAWING BY : FRANCISE KANG

CHECK BY : STEVEN

DRAWING NO : 3428/NF/FIG/2017/FF-DTL16

AS-BUILT DRAWING