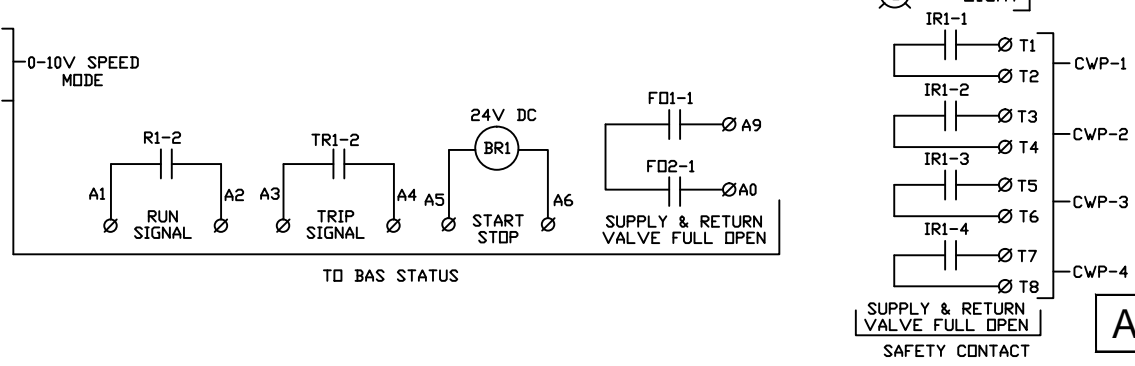


C/T-FAN 1/2/3



AS-BUILT DRAWING

<p>NOTICE</p> <p>This drawing and all information thereon is the property of HVAC engineering services sdn. bhd. No.5A & 5B, Jalan Sepadu A50/A, Taman Perindustrian Axis, Seksyen 05, 40400 Shah Alam, Selangor Darul Ehsan. Tel :- 03-51948212 Fax :- 03-51948219/20</p> <p>This drawing and all information thereon is confidential and must not be made public, copied or used to disadvantage HVAC engineering services sdn. bhd. It is subject to return on demand.</p>	<p>Owner :</p> <p>RHB TRUSTEES BERHAD (AS TRUSTEE FOR AXIS REIT) LEVEL 11, TOWER ONE, RHB CENTRE, JALAN TUN RAZAK 50400 KUALA LUMPUR</p>	<p>Architect:</p> <p>KOOI KEAT ARCHITECT No.19, Laman Sakti 1, Dataran 1, 6500 Seremban, Malaysia. Tel: 04-659 9987 fax: 04-656 8478 e-mail: kooikeat@kooikeatarchitect.com.my</p>	<p>M&E Consulting Engineers :</p> <p>HAN YANG CONSULTANCY SDN BHD MECHANICAL & ELECTRICAL CONSULTING ENGINEERS 02-3, Medan Regency 2, 11500 Bandar Baru Ayer Itam, Pulau Pinang. Tel: 04-2594908 Fax: 04-2222289 E-mail: hanyang@hycb.com</p>	<p>Main Contractor :</p> <p>AME CONSTRUCTION AME CONSTRUCTION SDN BHD NO. 18, JALAN ANGKASA MAS 6, KAWASAN PERINDUSTRIAN TEBERAU 2 81100 JOHORE BARU, JOHORE TEL: 07-3550111 FAX: 07-3541648 EMAIL: 3550111@ameconstruction.com.my WEBSITE: www.ameconstruction.com.my</p>	<p>Air-Conditioning Contractor :</p> <p>HVAC engineering services sdn. bhd. No.5A & 5B, Jalan Sepadu A50/A, Taman Perindustrian Axis, Seksyen 05, 40400 Shah Alam, Selangor. Tel :- 03-51948212 Fax :- 03-51948219/20 Email: hvac@hvacengineers.com.my hvac1779@gmail.com</p>	<p>Project Name :</p> <p>CADANGAN PEMBANGUNAN MEMBINA GUDANG MERANGKUM :- 1. FASA 1 - GUDANG 1 TINGKAT (120m X 360m) DENGAN PEJABAT / BLOK SOSAL 2. TINGKAT SERTA SEBUAH PENCAWANG ELEKTRIK, 3 UNIT PONDOK PENGAWAL, 1 UNIT TEMPAT PEMBUANGAN SAMPAH, 1 UNIT WASTE TREATMENT TANK, 1 UNIT BUKAN PAK. DIATAS LOT 7316 (P.T. 3679) JALAN KLANG - BANTING, MUKOM TELUK PANGUKA GARANG, DAERAH KUALA LANGAT, SELANGOR DARUL EHSAN. UNTUK TUJUAN : RHB TRUSTEES BERHAD, (AS TRUSTEE FOR AXIS REAL ESTATE INVESTMENT TRUST)</p>	<p>Subject :</p> <p>CONTROL CIRCUIT</p> <p>Checked By : Charlie</p> <p>Designed By : SHH</p> <p>Date : 18/01/18 Job Ref : 094-2016-NDC</p> <p>Scale : N.T.S.</p> <p>Drawing No : HRS/AXIS/NDC/004/09/16-CF.0(ADD)</p>
---	--	--	---	---	--	--	--