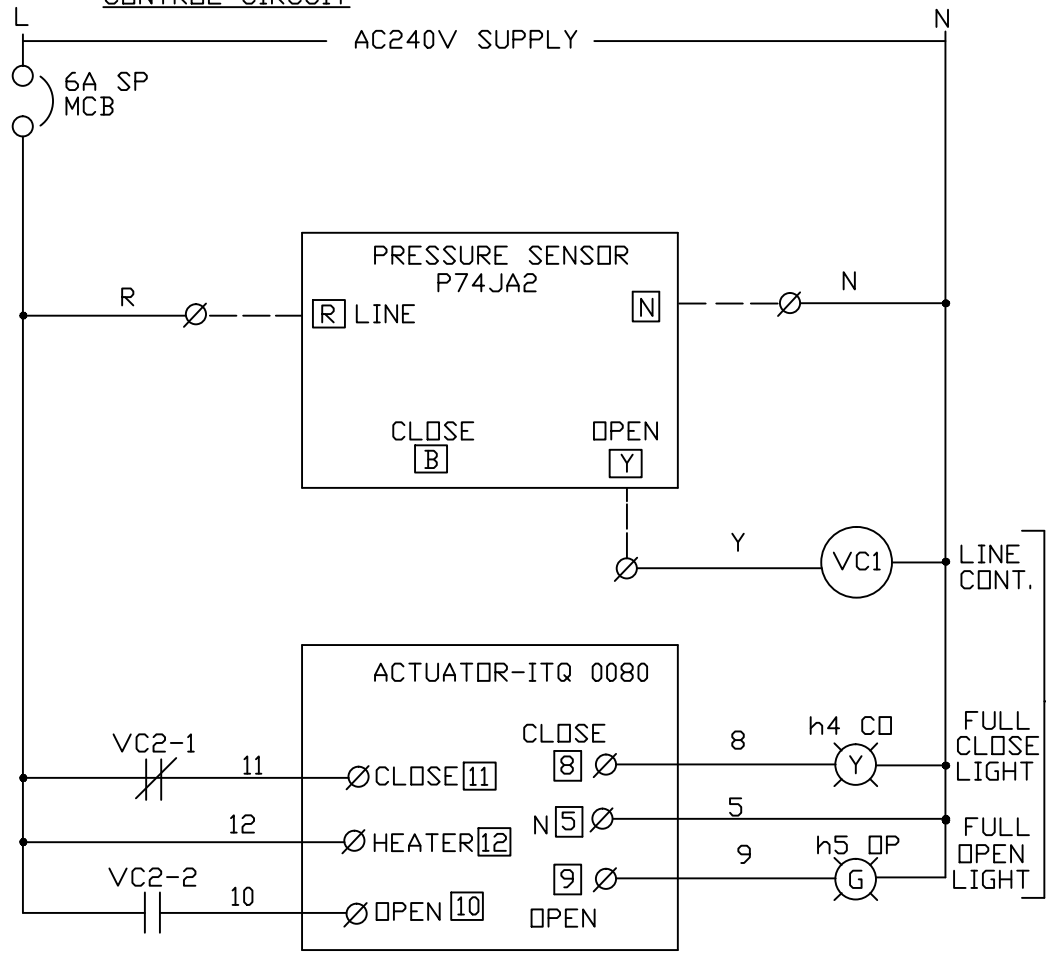


**CONTROL CIRCUIT**



**CHWP-BYPASS VALVE**

**AS-BUILT DRAWING**

<p><b>NOTICE</b></p> <p>This drawing and all information thereon is the property of  <b>HVAR engineering services sdn. bhd.</b>                  No.5A &amp; 5B, Jalan Sepadu A50/A, Taman Perindustrian Axis,                  Seksyen 05, 40400 Shah Alam, Selangor Darul Ehsan.                  Tel :- 03-51548212 Fax :- 03-51548219/20</p> <p>This drawing and all information thereon is confidential and                  must not be made public, copied or used to disadvantage  <b>HVAR engineering services sdn. bhd.</b>                  It is subject to return on demand.</p>	<p><b>Owner :</b></p> <p><b>RHB TRUSTEES BERHAD</b>                  (AS TRUSTEE FOR AXIS REIT)                  LEVEL 11, TOWER ONE,                  RHB CENTRE, JALAN TUN RAZAK                  50400 KUALA LUMPUR</p>	<p><b>Architect:</b></p> <p><b>KOOI KEAT ARCHITECT</b>                  No.19, Jalan Sultan Abdul Samad, 11600 Permatang, Malaysia.                  Tel: 04-659 9987 fax: 04-656 8478 e-mail: kooikeat@kooikeatarchitect.com.my</p>	<p><b>M&amp;E Consulting Engineers :</b></p> <p><b>HAN YANG CONSULTANCY SDN BHD</b>                  MECHANICAL &amp; ELECTRICAL CONSULTING ENGINEERS                  12-4, Medan Rempasa 2,                  11500 Bandar Baru Ayer Itam,                  Pulau Pinang.                  Tel: 04-6294488 Fax: 04-6222289                  E-mail: hanyangsdnbb@gmail.com</p>	<p><b>Main Contractor :</b></p> <p><b>AME CONSTRUCTION</b>                  — CONSTRUCTION —  <b>AME CONSTRUCTION SDN BHD</b>                  NO. 18, JALAN ANGKASA MAS 6,                  KAWASAN PERINDUSTRIAN TEBERAU 2                  81100 JOHORE BARU, JOHORE.                  TEL: 07-3550111 FAX: 07-3541648                  EMAIL: info@ameconstruction.com.my                  WEBSITE: www.ameconstruction.com.my</p>	<p><b>Air-Conditioning Contractor :</b></p> <p><b>HVAR engineering services sdn. bhd.</b>                  No.5A &amp; 5B, Jalan Sepadu A50/A,                  Taman Perindustrian Axis, Seksyen                  05, 40400 Shah Alam, Selangor.                  Tel :- 03-51548212                  Fax :- 03-51548219/20                  Email: hvarengineering@yahoo.com                  hvare1779@gmail.com</p>	<p><b>Project Name :</b></p> <p>CADANGAN PEMBANGUNAN MEMBINA GUDANG                  MERANGKUM :-                  1. FASA 1 - GUDANG 1 TINGKAT (120m X 360m)                  DENGAN PEJABAT / BLOK SOSIAL                  11.9                  2. TINGKAT SERTA SEBUAH PENCAWANG                  ELEKTRIK, 3 UNIT PONDOK PENGAWAL,                  1 UNIT TEMPAT PEMBUANGAN SAMPAH,                  1 UNIT WASTE TREATMENT TANK, 1 UNIT                  RUMAH PAK.                  DIATAS L07 7316 ( P.T. 3679 )                  JALAN KLANG - BANTING, MUKOM TELUK PANGUKA                  GARANG, DAERAH KUALA LANGAT,                  SELANGOR DARUL EHSAN.                  UNTUK TETUAN : RHB TRUSTEES BERHAD,                  (AS TRUSTEE FOR AXIS REAL ESTATE INVESTMENT TRUST )</p>	<p><b>Subject :</b></p> <p><b>CONTROL CIRCUIT                  CHWP-BYPASS VALVE</b></p> <p><b>Checked By : Charlie</b></p> <p><b>Designed By : Charlie</b></p> <p><b>Drawn By : SHI</b></p> <p><b>Date : 18/01/18 Job Ref : 094-2016-NDC</b></p> <p><b>Scale : N.T.S.</b></p> <p><b>Drawing No : HBS/AXIS/NDC/004/09/16-CP.3(ADD)</b></p>
---	--	--	---	--	---	--	--