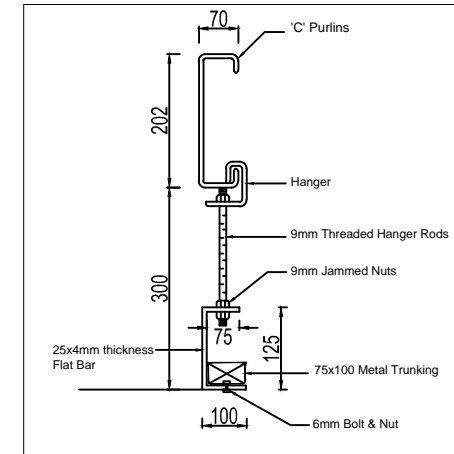
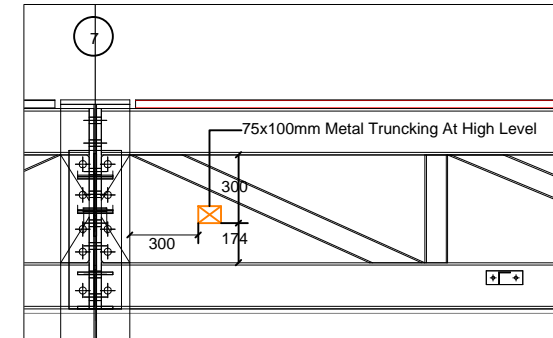


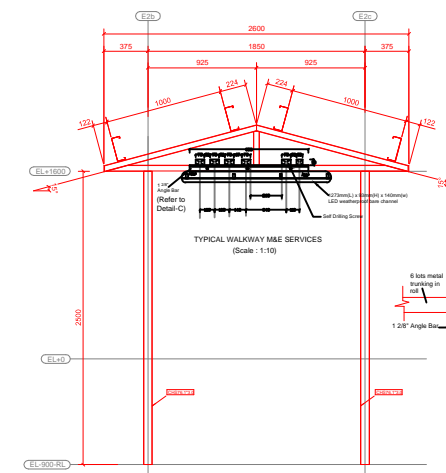
- LEGEND :-**
- Control Panel (1180 x 1300 x 225mm) (CP-ZONE -1 To ZONE-5)
 - Fire Damper (1477 x 700 x 170mm) C/W Damper Actuator Weight :- 40 KG Each
 - Metal Trunking (Install At High Level)
 - Red Phase (Each Zone)
 - Yellow Phase (Each Zone)
 - Blue Phase (Each Zone)



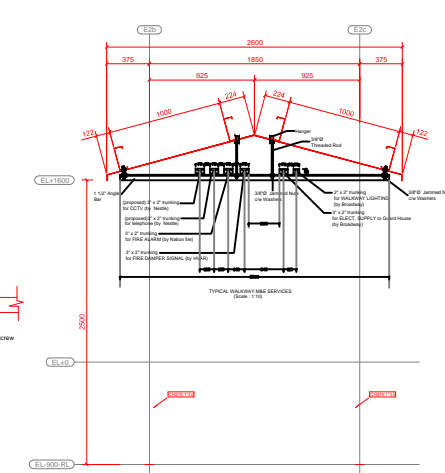
DETAIL-B
Trunking Bracket Hanger
SCALE : Not To Scale



DETAIL-A
SCALE : Not To Scale



TYPICAL WALKWAY TRUSS



TYPICAL WALKWAY TRUSS

AS-BUILT DRAWING

<p>NOTICE</p> <p>This drawing and all information thereon is the property of HVAR engineering services sdn. bhd. No.5A & 5B, Jalan Sepadu A25/A, Taman Perindustrian Axis, Seksyen 25, 40400 Shah Alam, Selangor Darul Ehsan. Tel :- 03-51248218 Fax :- 03-51248219/20</p> <p>This drawing and all information thereon is confidential and must not be made public, copied or used to disadvantage HVAR engineering services sdn. bhd. It is subject to return on demand.</p>	<p>Owner :</p> <p>RHB TRUSTEES BERHAD (AS TRUSTEE FOR AXIS REIT) LEVEL 11, TOWER ONE, RHB CENTRE, JALAN TUN RAZAK 50400 KUALA LUMPUR</p>	<p>Architect:</p> <p>KOOI KEAT ARCHITECT no.19, taman bukit dumbur, 11800 penang, malaysia tel : 04 - 659 9987 fax : 04 - 656 8478 e-mail : kooikeat@kooikeatarchitect.com.my</p>	<p>M&E Consulting Engineers :</p> <p>FIG FIG Consultancy Sdn Bhd Fire Safety Engineering UNIT 12-4, 4TH FLOOR, JALAN 3/114, KUCOH BUSINESS CENTRE, OFF JALAN KUCOH LAMA, 38200 KUALA LUMPUR. TEL: 03-79842128 / 03-79842118 FAX: 03-79842129</p>	<p>Main Contractor :</p> <p>AME CONSTRUCTION NO. 16, JALAN ANGKASA MAS 6 KAWASAN PERINDUSTRIAN TEBRAU 2 81100 JOHOR BAHRU, JOHOR. TEL: 07 - 3555 111 FAX: 07 - 3541 648 EMAIL : info@ameconstruction.com.my WEBSITE : www.ameconstruction.com.my</p>	<p>Air-Conditioning Contractor :</p> <p>HVAR engineering services sdn. bhd. No.5A & 5B, Jalan Sepadu A25/A, Taman Perindustrian Axis, Seksyen 25, 40400 Shah Alam, Selangor. Tel :- 03-51248218 Fax :- 03-51248219/20 Email: hvarengineering@yahoo.com hvar1979@gmail.com</p>	<p>Project Name :</p> <p>CADANGAN PEMBANGUNAN MEMBINA GUDANG MERANGKUMI :-</p> <p>1. FASA 1 - GUDANG 1 TINGKAT (120m x 360m) DENGAN PEJABAT / BLOK SOSIAL 2 TINGKAT SERTA SEBUAH PENCAWANG ELEKTRIK, 3 UNIT PONDOK PENGAWAL, 1 UNIT TEMPAT PEMBUANGAN SAMPAH, 1 UNIT WASTE TREATMENT TANK, 1 UNIT RUMAH PAM.</p> <p>DIATAS LOT 7316 (P.T. 3609) JALAN KLANG - BANTING, MUKIM TELUK PANGLIMA GARANG, DAERAH KUALA LANGAT, SELANGOR DARUL EHSAN.</p> <p>UNTUK TETUAN : RHB TRUSTEES BERHAD, (AS TRUSTEE FOR AXIS REAL ESTATE INVESTMENT TRUST)</p>	<p>Subject :</p> <p>MFD Installation & Cabling Layout Plan ZONES 4 & 5</p> <p>Checked By : Charlie</p> <p>Designed By : Charlie</p> <p>Drawn By : Siti/Pija</p> <p>Date : 18/01/18 Job Ref : 040-2017-AXIS</p> <p>Scale : 1:400 (A1)</p> <p>Drawing No : HES/AXIS/NDC/040/05/17-MFD-2 (ABD)</p>
--	--	---	--	--	---	---	---